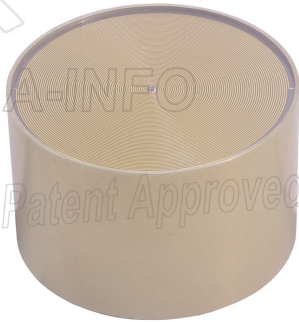


For reference only. See data sheet for the detailed specifications.

Technical Specification

Without Radome



With Radome



Frequency Range(GHz)	2.0 – 18.0	
Gain(dBic)	-8.0 – 6.0	
	0 Typ.	
Polarization	RHCP or LHCP	
Axial Ratio(dB)	2.0 Typ.	
	3.5 Max.	
3dB Beamwidth(deg)	E Plane:	100 - 55
	H Plane:	105 - 55
VSWR	2.0: 1 Typ.	
	3.0: 1 Max	
Connector	SMA-Female	
Material	Without Radome:	Al
	For Radome	Rigid Foam
Size(mm)	Without Radome:	60.6 x 60.6 x 49.4
	With Radome	70.6 x 70.6 x 53.4
Net Weight(Kg)	Without Radome:	0.15 Around
	With Radome	0.16 Around
Operating Environment For Radome	Outdoor Application; Water Proof & Dust Proof	

PATENT ID (China)

ZL201921373071.0, ZL201630458503.3

AINFO Inc.

China(Beijing):
China(Chengdu):
USA :

Tel: (+86) 10-6266-7326,
Tel: (+86) 28-8519-2786,
Tel: (+1) 949-639-9688,

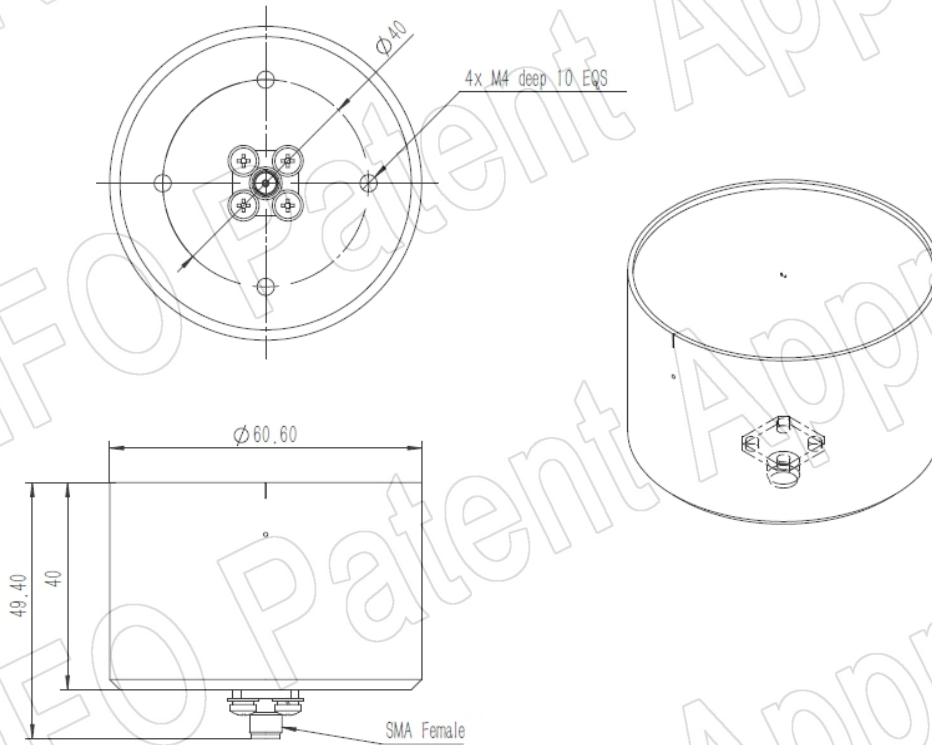
(+86) 10-6266-7327
(+86) 28-8519-3044
(+1) 949-639-9608

Fax: (+86) 10-6266-7379
Fax: (+86) 28-8519-3068
Fax: (+1) 949-639-9670

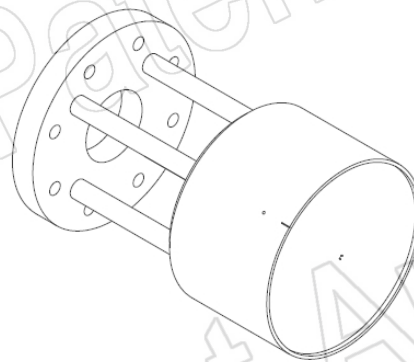
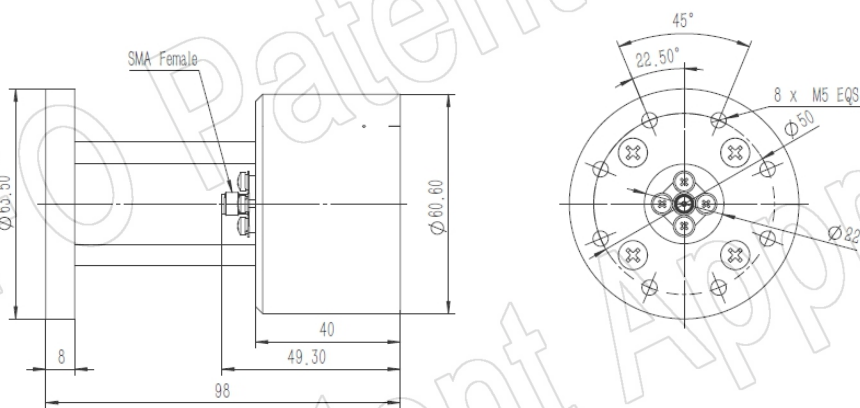
Website: www.ainfoinc.com
Email: sales@ainfoinc.com

Outline Drawing (Size: mm)

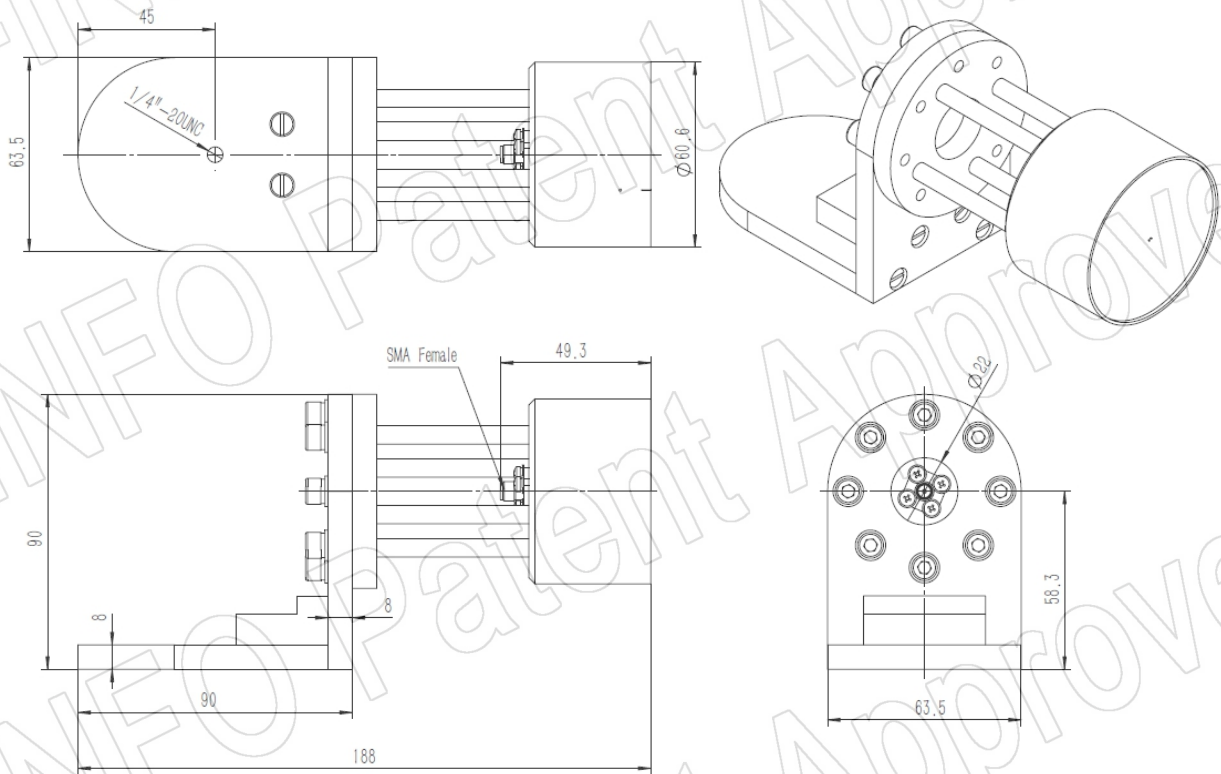
SMA-Female Output (P/N: LX-20180_LHCP or LX-20180_RHCP)



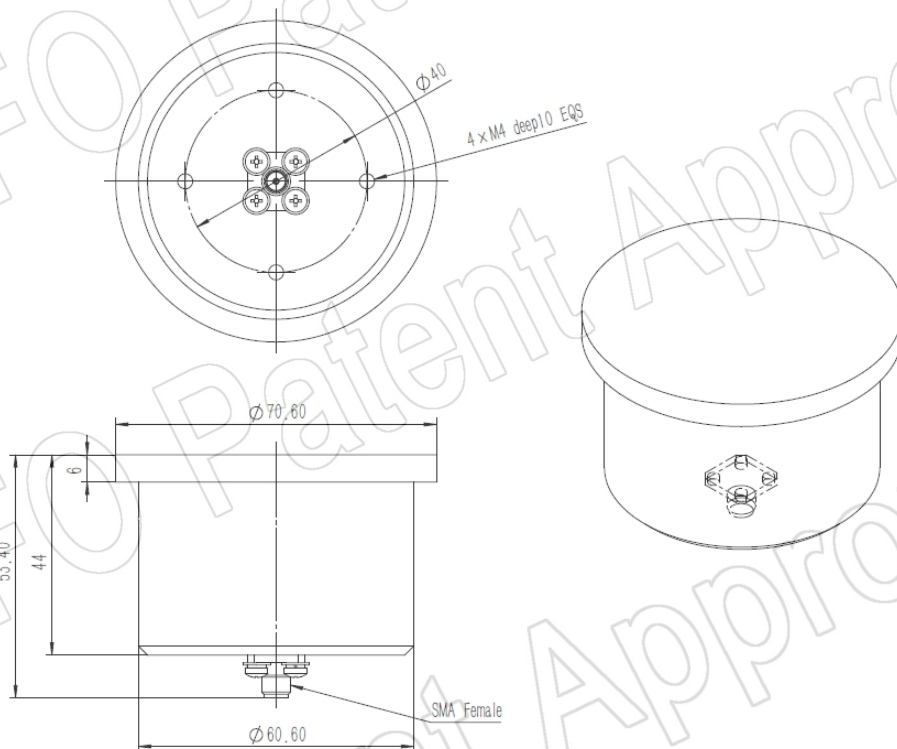
SMA-Female Output with Round Mounting Bracket (Option, P/N: LX-20180-MB)



SMA-Female Output with L Type Mounting Bracket (Option, P/N: LX-20180-MBL)



SMA-Female Output with Radome (Option, P/N: LX-20180_LHCPSP0 or LX-20180_RHCPSP0, Outdoor Application)



AINFO Inc.

China(Beijing):
China(Chengdu):
USA :

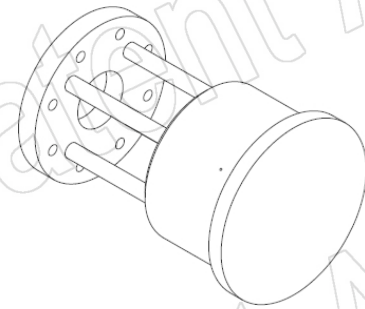
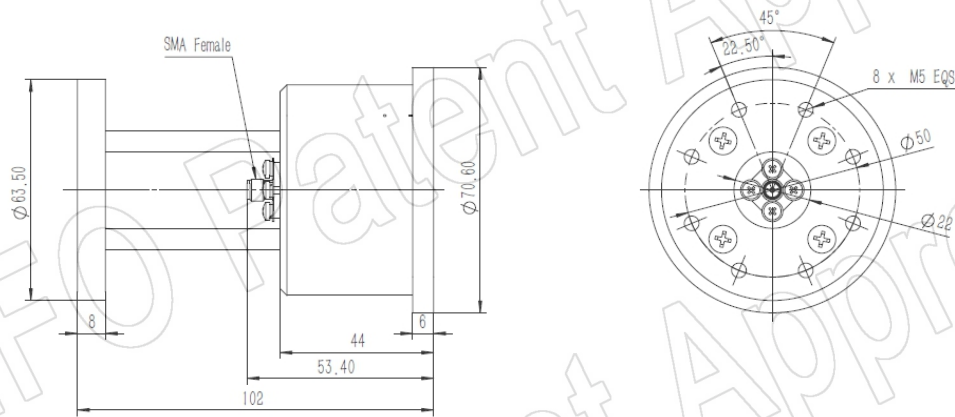
Tel: (+86) 10-6266-7326,
Tel: (+86) 28-8519-2786,
Tel: (+1) 949-639-9688,

(+86) 10-6266-7327
(+86) 28-8519-3044
(+1) 949-639-9608

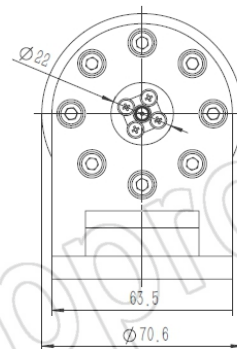
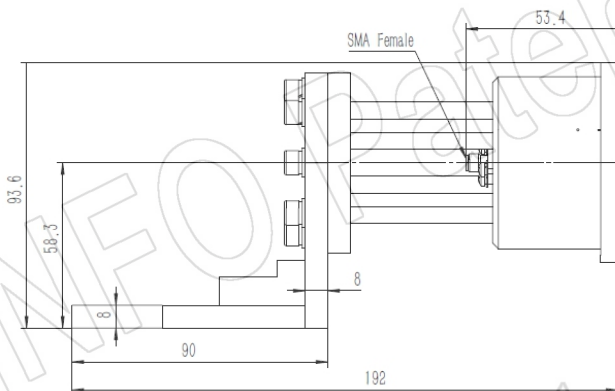
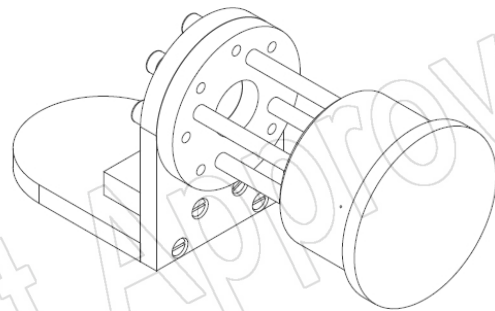
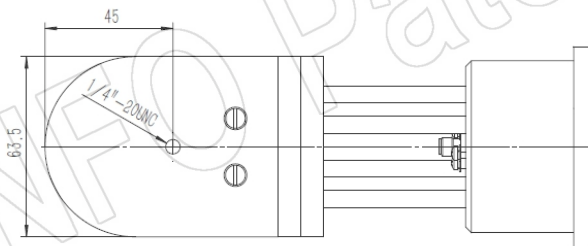
Fax: (+86) 10-6266-7379
Fax: (+86) 28-8519-3068
Fax: (+1) 949-639-9670

Website: www.ainfoinc.com
Email: sales@ainfoinc.com

SMA-Female Output with Round Mounting Bracket & Radome (Option, P/N: LX-20180-MB & LX-20180_LHCPSP0 or LX-20180_RHCPSP0, Outdoor Application)

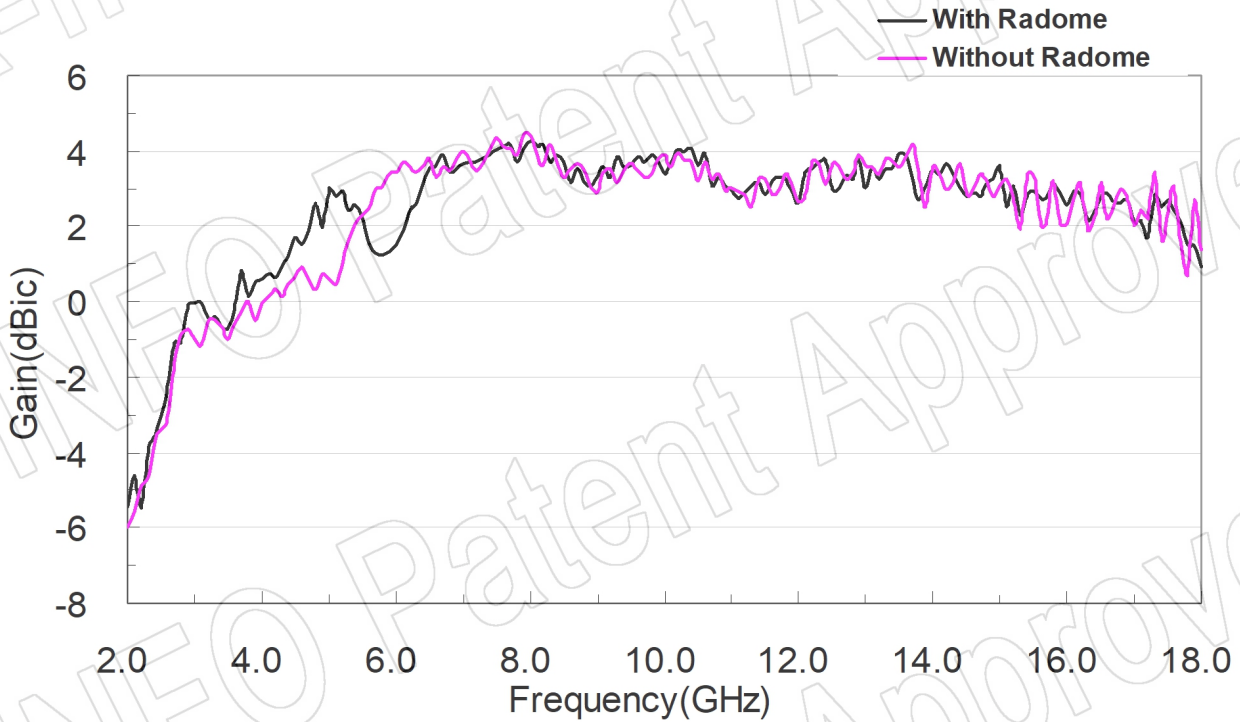


SMA-Female Output with L Type Mounting Bracket & Radome(Option, P/N: LX-20180-MBL & LX-20180_LHCPSP0 or LX-20180_RHCPSP0, Outdoor Application)

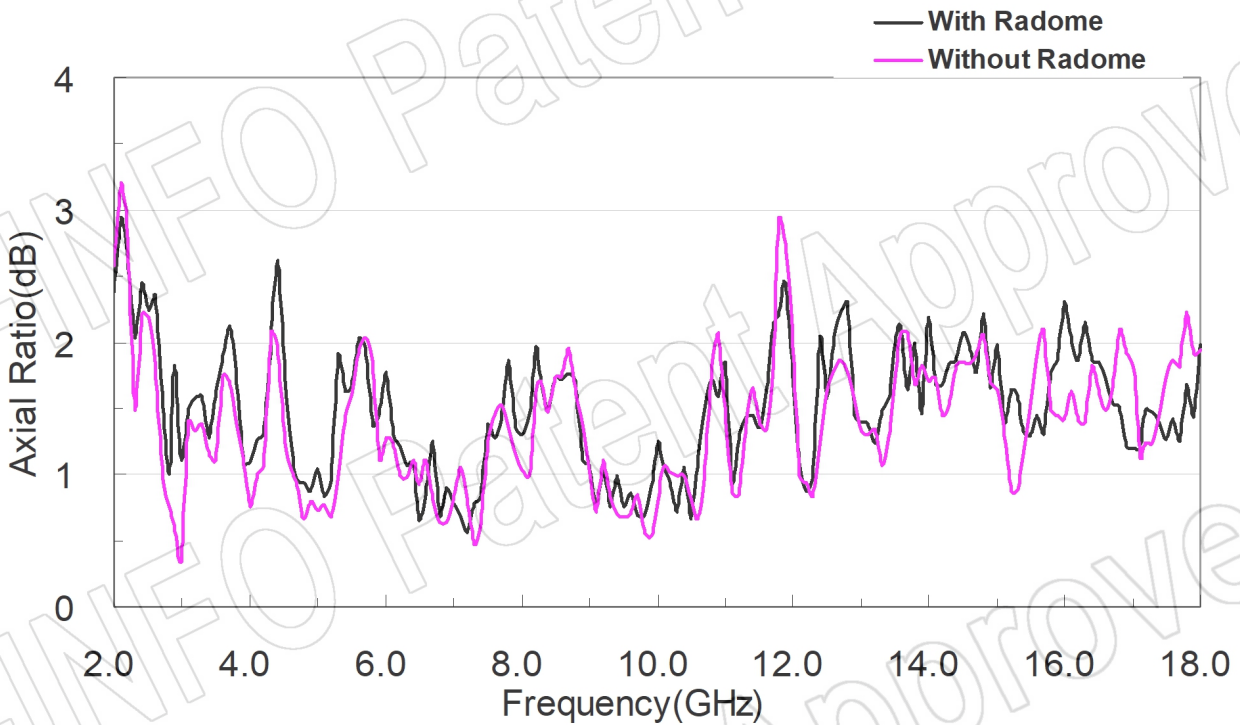


Test Results

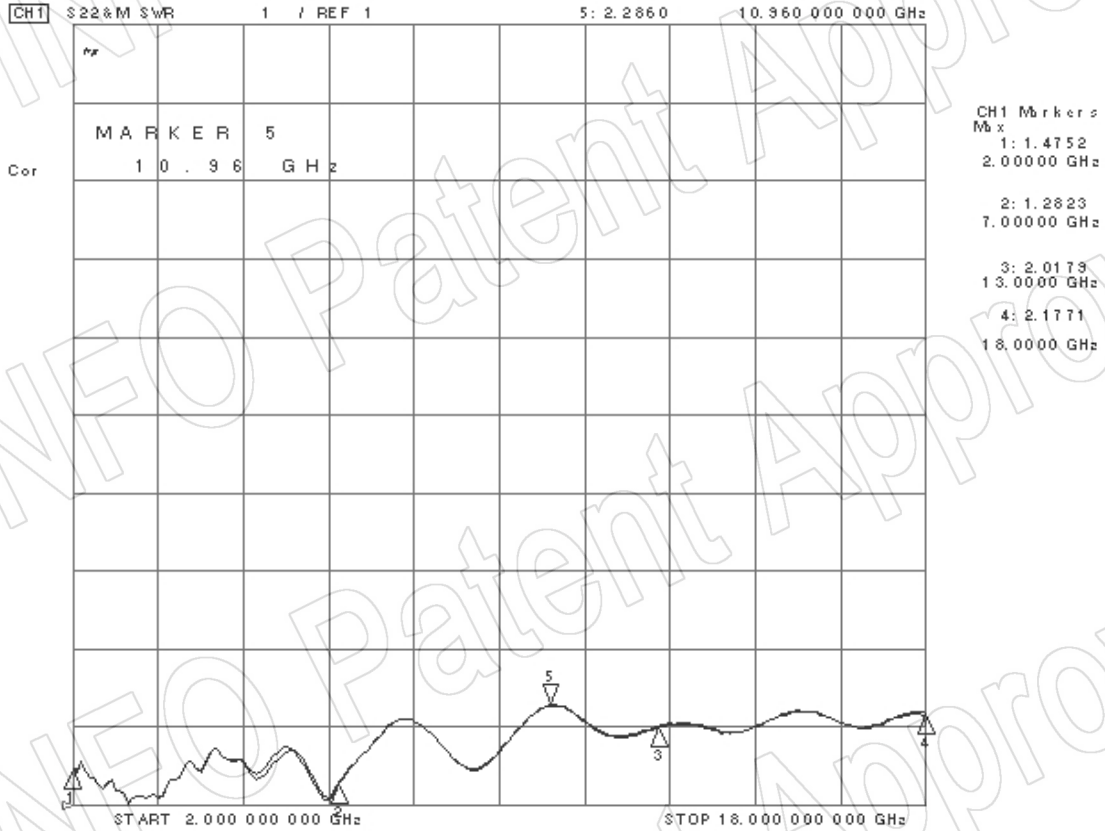
1. Gain



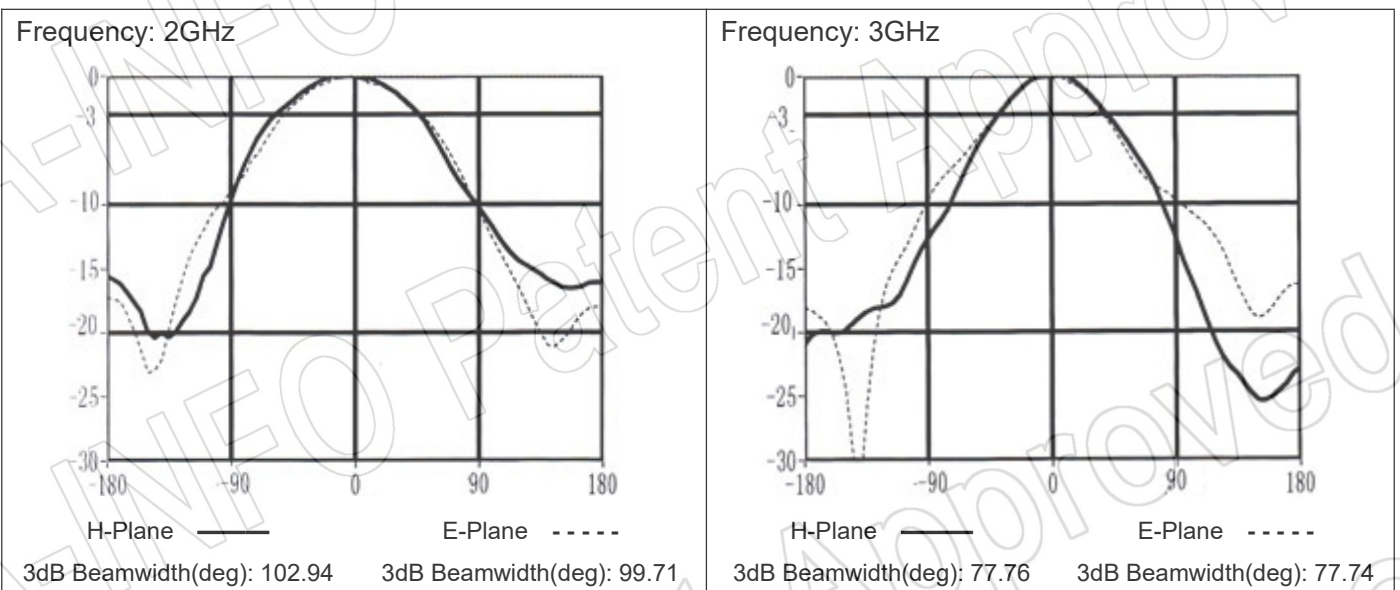
2. Axial Ratio



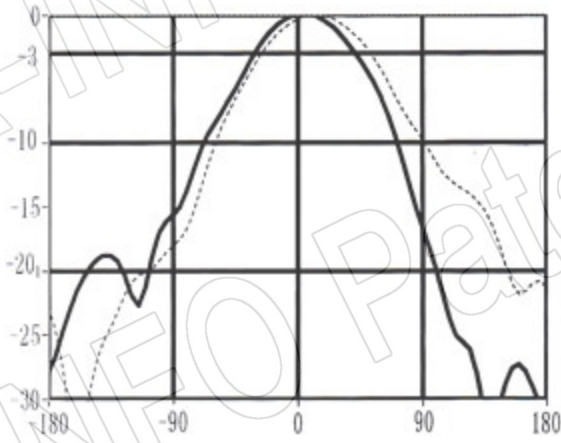
3. VSWR (DATA: With Radome; MEM: Without Radome)



4. Pattern

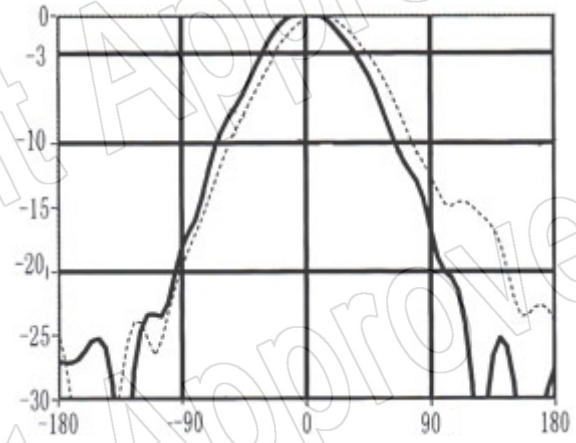


Frequency: 4GHz



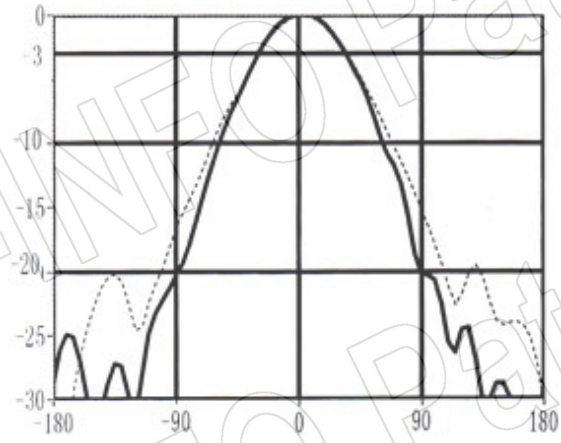
H-Plane ——— E-Plane - - - - -
 3dB Beamwidth(deg): 72.26 3dB Beamwidth(deg): 78.70

Frequency: 5GHz



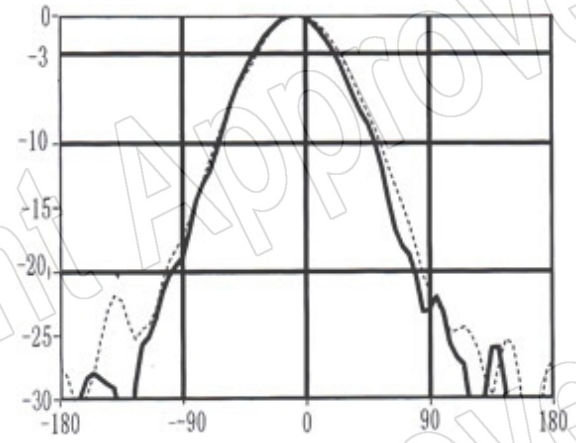
H-Plane ——— E-Plane - - - - -
 3dB Beamwidth(deg): 66.97 3dB Beamwidth(deg): 66.73

Frequency: 6GHz



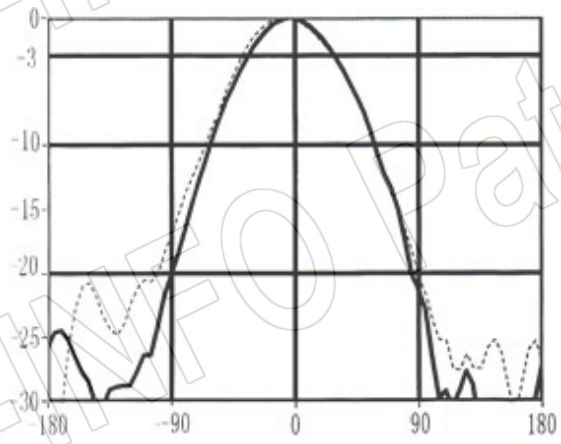
H-Plane ——— E-Plane - - - - -
 3dB Beamwidth(deg): 63.89 3dB Beamwidth(deg): 67.30

Frequency: 7GHz



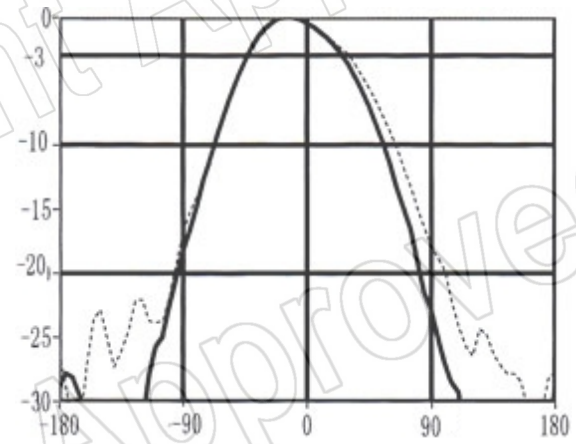
H-Plane ——— E-Plane - - - - -
 3dB Beamwidth(deg): 58.65 3dB Beamwidth(deg): 60.49

Frequency: 8GHz



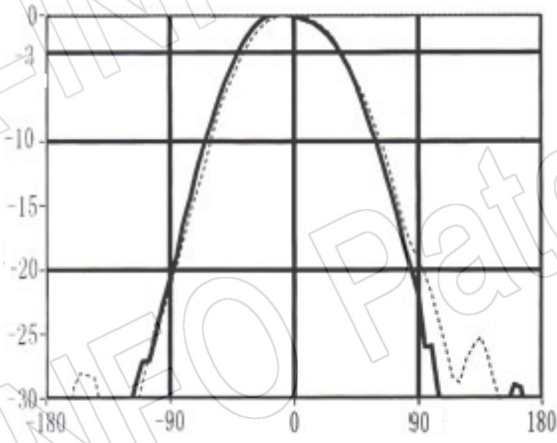
H-Plane ——— E-Plane - - - - -
 3dB Beamwidth(deg): 62.45 3dB Beamwidth(deg): 66.09

Frequency: 9GHz



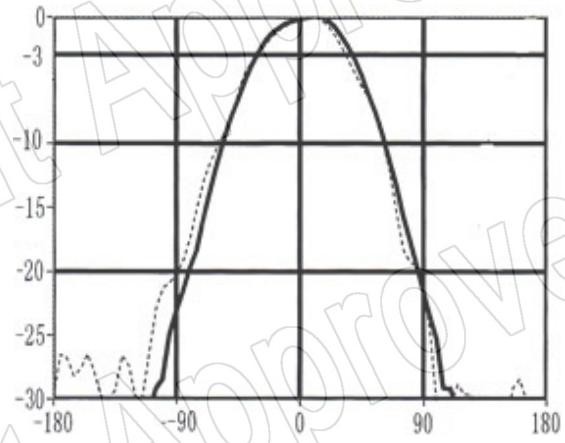
H-Plane ——— E-Plane - - - - -
 3dB Beamwidth(deg): 68.52 3dB Beamwidth(deg): 73.47

Frequency: 10GHz



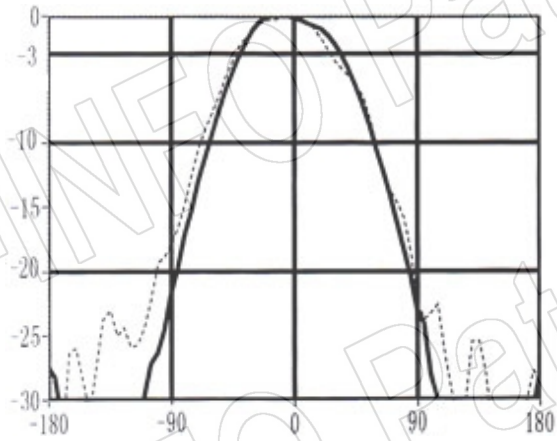
H-Plane ——— E-Plane - - - - -
 3dB Beamwidth(deg): 74.22 3dB Beamwidth(deg): 71.65

Frequency: 11GHz



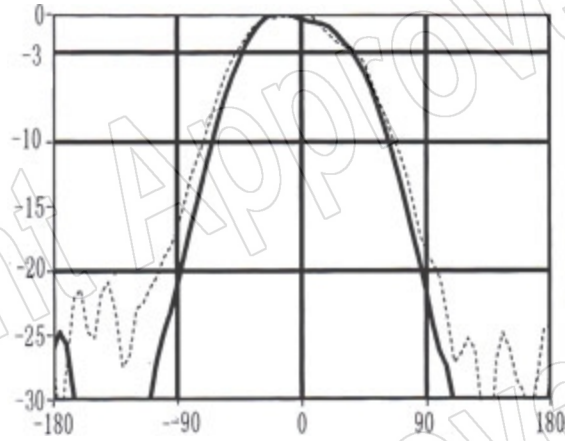
H-Plane ——— E-Plane - - - - -
 3dB Beamwidth(deg): 69.20 3dB Beamwidth(deg): 64.74

Frequency: 12GHz



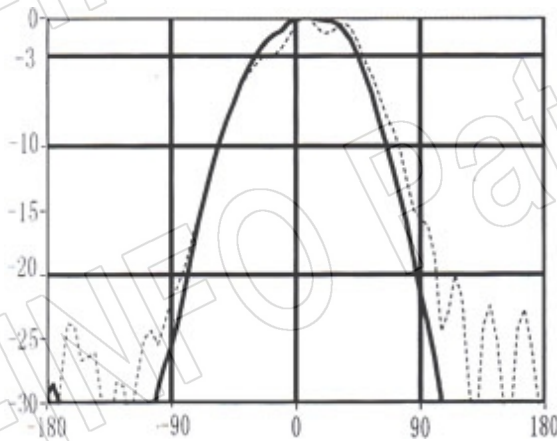
H-Plane ——— E-Plane - - - - -
 3dB Beamwidth(deg): 73.72 3dB Beamwidth(deg): 69.73

Frequency: 13GHz



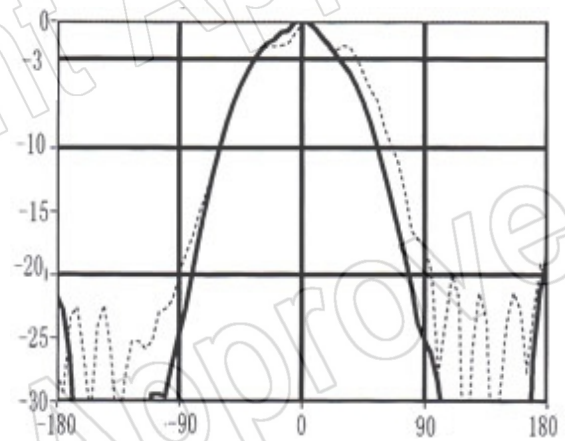
H-Plane ——— E-Plane - - - - -
 3dB Beamwidth(deg): 79.37 3dB Beamwidth(deg): 87.47

Frequency: 14GHz



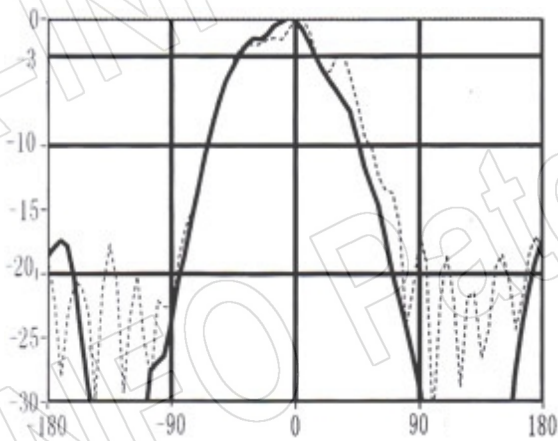
H-Plane ——— E-Plane - - - - -
 3dB Beamwidth(deg): 73.62 3dB Beamwidth(deg): 69.66

Frequency: 15GHz



H-Plane ——— E-Plane - - - - -
 3dB Beamwidth(deg): 61.60 3dB Beamwidth(deg): 76.36

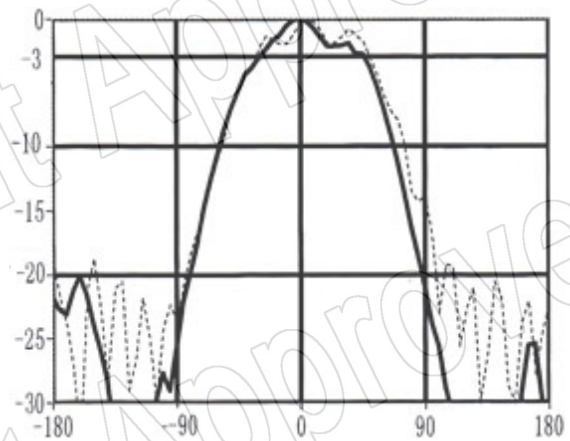
Frequency: 16GHz



H-Plane ——— E-Plane - - - - -

3dB Beamwidth(deg): 55.36 3dB Beamwidth(deg): 58.86

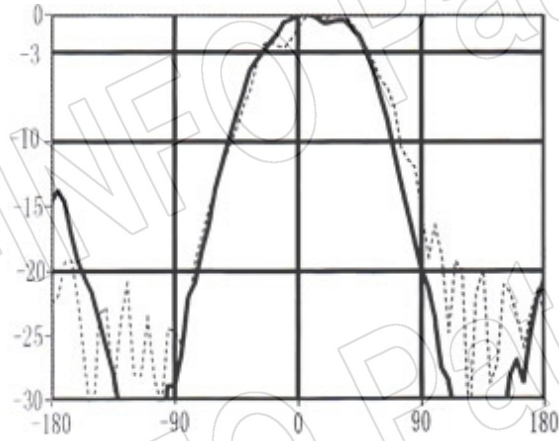
Frequency: 17GHz



H-Plane ——— E-Plane - - - - -

3dB Beamwidth(deg): 74.87 3dB Beamwidth(deg): 81.88

Frequency: 18GHz



H-Plane ——— E-Plane - - - - -

3dB Beamwidth(deg): 75.81 3dB Beamwidth(deg): 78.56